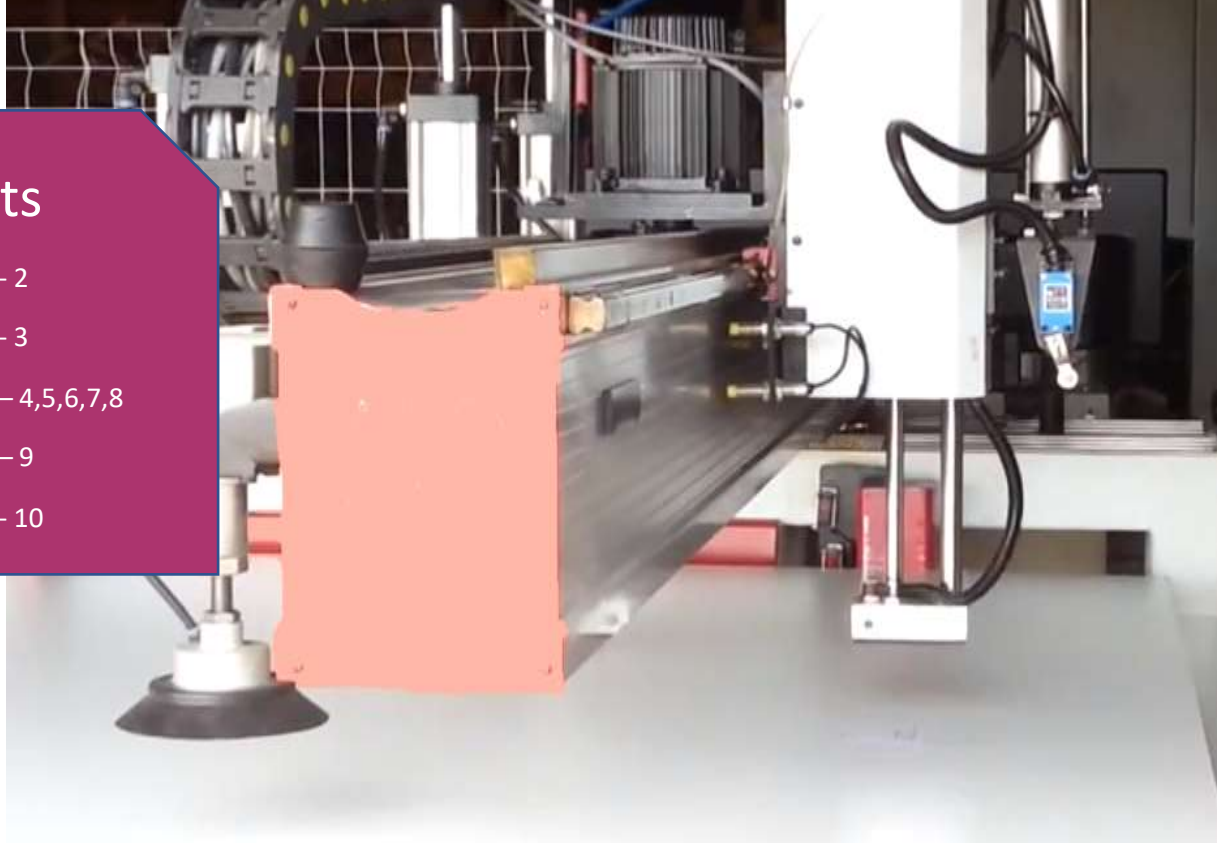


CABINETY LABELLING BUYERS GUIDE

MARCH 2021

Contents

Labelling Types	- 2
Adhesives	- 3
Roll Labels	- 4,5,6,7,8
Brother Roll Labels	- 9
Laser Label Sheets	- 10



Buy direct from the manufacturer. We specialise in label solutions for the joinery and cabinetry business. Whether you use roll labels through a label printer or sheet labels through a laser printer we have a solution for you.

As a member of AWISA we know your industry.

We stock a huge range of labels in our warehouse for immediate despatch.

With our price, service and quality guarantees there is only one supplier you should choose.



Phone 1300 762 603

www.allaboutlabels.com.au

sales@allaboutlabels.com.au

Labelling Basics

THE HEAT IS ON! - Direct Thermal or Thermal Transfer Labels

So, you use labels in your business every day but are you using the right ones? If you know the technology of label printing, then it helps you to choose the right label material and the right printer.

You have probably heard or used the term thermal labels, this is only half the story. We get asked all the time for thermal labels and we know that mostly we need to clarify what people really want or need. With commercial label printers, there are two main types of labels and label printing, they are Direct Thermal and Thermal Transfer. So, what are the differences?

Direct Thermal (also known as Thermal Direct) labels have a heat sensitive coating (Leuco Dye). Every printer has a thermal printhead and this provides heat according to what you want printed. When this coating is exposed to this heat it turns black and this provides the printing on the label. The only consumable is the label, so it sounds perfect doesn't it?

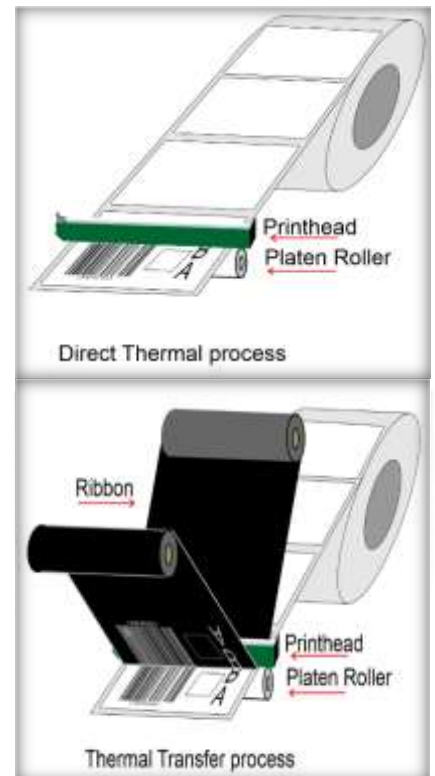
The one main issue is that the Leuco dye coating is not only sensitive to the printhead heat but all forms of heat. If you have ever picked up an old box that has a brown dirty looking label on it then that is the Leuco dye reacting to the ambient heat over time. One way to tell a Direct Thermal label is to rub the label quickly with your fingernail or the end of a pen and you would see a black line appear from the heat generated. So Direct Thermal labels are perfect for short term labels such as freight labels, picking labels and labels not expected to have a long life.

Thermal Transfer labels do not have a heat sensitive coating on them but instead are printed by a heat sensitive ribbon. The ribbon goes between the thermal printhead and the label material. When the printhead heats up to print it then melts the ink on the ribbon. This ink is transferred to the label material and hardens as it cools almost immediately on the label material leaving your printed image behind. So why use this type of label? Well you can print on many different materials with ribbons and the results can look as good as new for a long time. When the label material, ribbon and the printer are well matched they will produce crisp clear labels that last for many years. Many asset labels are printed this way because they are long lasting.

So how do you choose? You should consider two main factors, the lifetime of the label and also how much heat it will be exposed to. For example, if you need to heat cure paint on some cabinetry doors then direct thermal labels will probably come out completely black after that process, so you would use thermal transfer labels for this process.

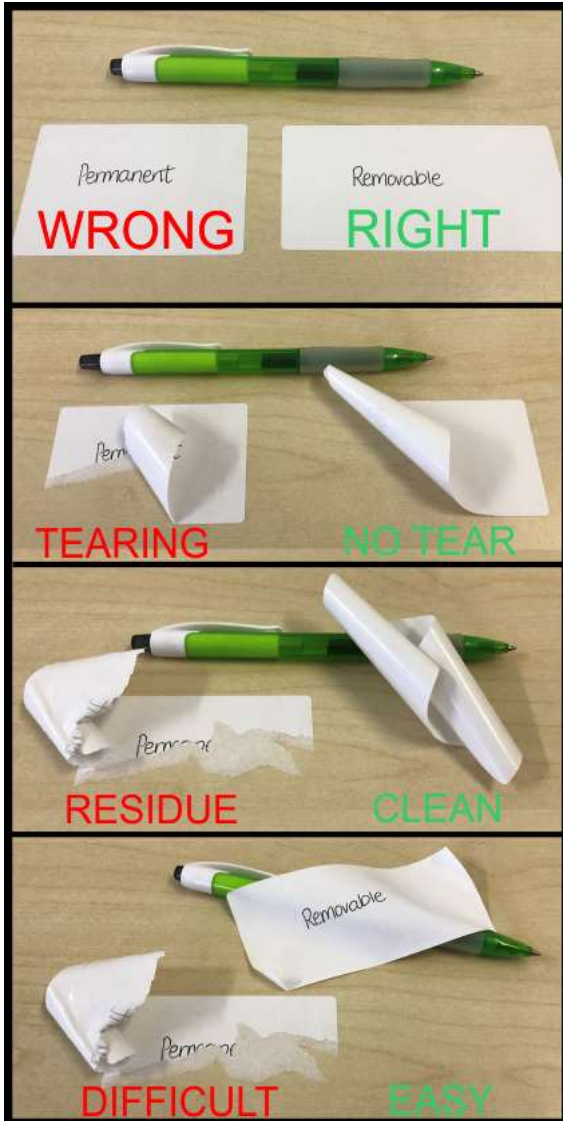
Can all printers do both processes? A Thermal Transfer printer is capable of both processes however a Direct Thermal only printer can only do Direct Thermal and not Thermal Transfer.

If you need help choosing, then All About Labels can help.



Adhesives – Labels Ain't Labels

For those of you old enough to remember the old Castrol oils advert where the phrase “Oils Ain't Oils” became part of our vernacular we introduce “Labels Ain't Labels”. We have spoken to many in the industry with real horror stories about their experiences with labelling of cabinetry. These experiences can be avoided just by using the right labels.



So, do some of these experiences below sound familiar to you?

- our guys spend ages picking the labels off the cabinets
- we damage the cabinet sometimes getting the labels off
- we use special solvents to get rid of the residue after we peel the label off
- we know not to leave labels on for more than two days because then we can't get them off
- we buy label sheets (at a big retailer) and they don't come off the cabinets.
- I bought a Brother/Dymo label printer because it was cheap. Now the labels costs are really hurting, and I can't get them off the cabinets.

These people haven't bought the right labels.

The frustration is obvious to these people as they see it as a very small part of their overall operation but often it is the source of the most complaints from workers. When they are shown how the right label comes off the cabinets it is a revelation to them sometimes.

Do you know that if someone spends an extra 10 mins per day cleaning up after labels then that is 50mins per week or 43 hours per annum. You can easily save all this time, money and frustration. The irony is that often the right labels are cheaper to buy!!

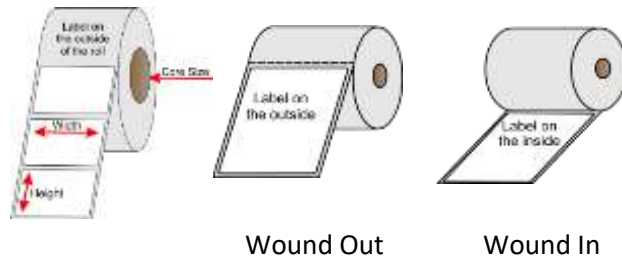
There are several removable adhesives we can provide for all sorts of printers. We will send you a free sample of the labels for you to test apply to the cabinets.

With the right label/adhesive combination the labels can be applied to the job and then removed when required, simply and without residue.

Roll Labels

Our Labels have a premium smooth top coat that protects the print and the printhead as well as resisting moisture. The adhesive is a removable adhesive selected specifically for the cabinetry industry, so they stick but leave no residue when removed. Compatible with major nesting and labelling packages. Labels are perforated unless otherwise stated, most automatic print and apply systems prefer not perforated.

These labels listed are Direct Thermal Labels suitable for Zebra/Datamax/Honeywell/TSC/Intermec etc printers. If you need Thermal Transfer Labels then contact us for prices. For Brother and Dymo Compatible Labels see relevant page.



Direct Thermal Removable Labels								
Size - 100mm x 73mm								
Item No	81443	81442	81440	81444	81506	*	*	*
Labels per Roll	1000	1000	1000	1000	2000	2000	750	1500
Core Size	25	76	25	76	76	76	25	76
Wound In/Out	Out	Out	In	Out	Out	Out	Out	Out
Perforated	Yes	Yes	Yes	No	No	Yes	Yes	Yes
Pack Size	4	4	4	4	3	4	6	4
\$ per Roll	\$23.57	\$23.57	\$23.57	\$23.57	\$47.13	\$47.13	\$17.68	\$35.35
\$ per Pack	\$94.27	\$94.27	\$94.27	\$94.27	\$141.40	\$188.54	\$106.05	\$141.40

- * 81900 replaces Insignia 7926
- * 81901 replaces Insignia 7925/Peacock L16190
- * 81902 replaces Peacock L12566



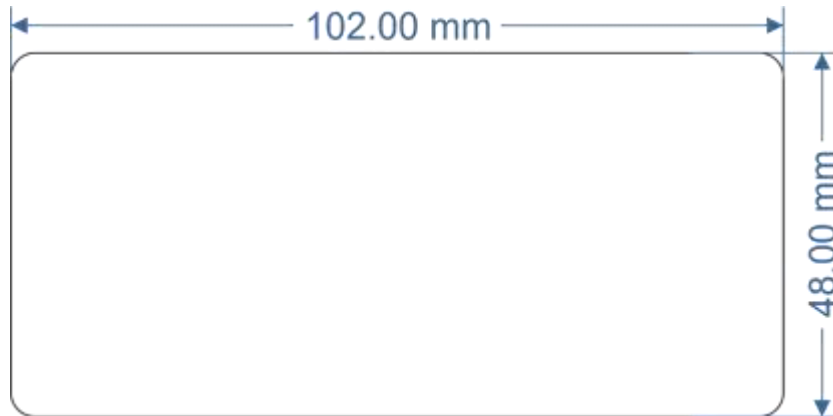
Labels Shown
Actual Size

Roll Labels

Direct Thermal Removable Labels Size - 102mm x 48mm					
Item No	81606	81607	* 81903	* 81904	* 81905
Labels per Roll	1500	2000	3000	1250	2500
Core Size	25	76	76	25	76
Wound In/Out	Out	Out	Out	Out	Out
Perforated	Yes	Yes	Yes	No	No
Pack Size	4	4	2	4	3
\$ per Roll	\$27.31	\$36.41	\$54.62	\$22.76	\$45.51
\$ per Pack	\$109.23	\$145.65	\$109.23	\$91.03	\$136.54

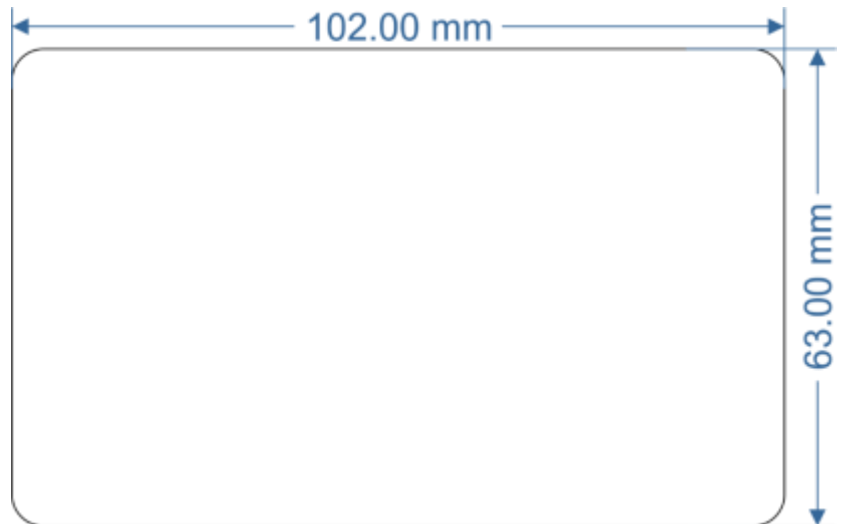
- * 81903 replaces Insignia 7928
- * 81904 replaces Insignia 7929/Peacock L18676
- * 81905 replaces Peacock L13292

Labels Shown
Actual Size



Direct Thermal Removable Labels Size - 102mm x 63mm		
Item No	* 81909	* 81910
Labels per Roll	1000	2000
Core Size	25	76
Wound In/Out	Out	Out
Perforated	Yes	Yes
Pack Size	4	4
\$ per Roll	\$19.60	\$39.21
\$ per Pack	\$78.41	\$156.82

- * 81909 replaces Insignia 7928
- * 81910 replaces Insignia 7929 /Peacock L18676



Roll Labels

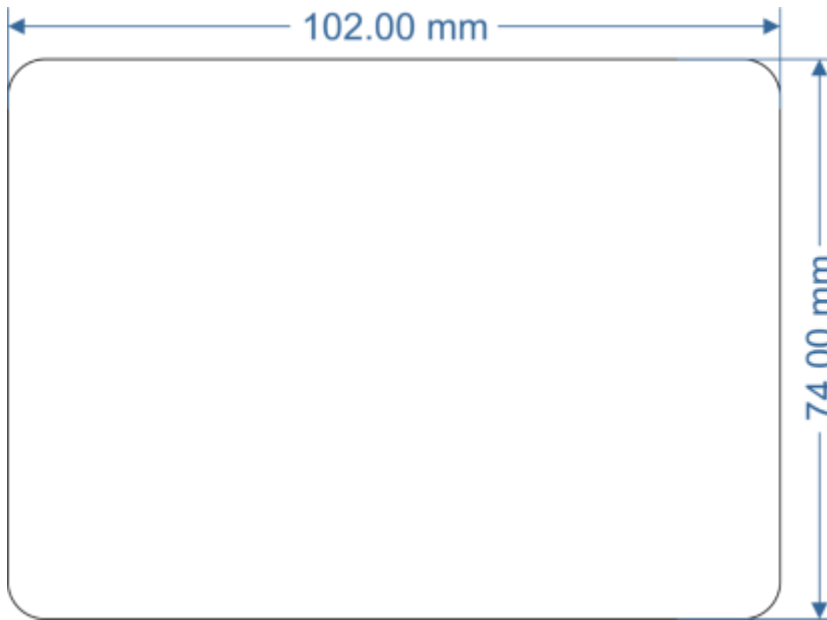
Direct Thermal Removable Labels Size - 102mm x 74mm				
Item No	81706	81714	81907	81908
Labels per Roll	1500	2000	750	1250
Core Size	25	76	25	25
Wound In/Out	Out	Out	Out	Out
Perforated	Yes	Yes	Yes	No
Pack Size	4	4	6	4
\$ per Roll	\$38.56	\$51.42	\$19.28	\$32.14
\$ per Pack	\$154.26	\$206.68	\$115.69	\$128.55

* 81714 replaces Insignia 7926

* 81904 replaces Insignia 7929/Peacock L18676

* 81905 replaces Peacock L13292

Labels Shown
Actual Size



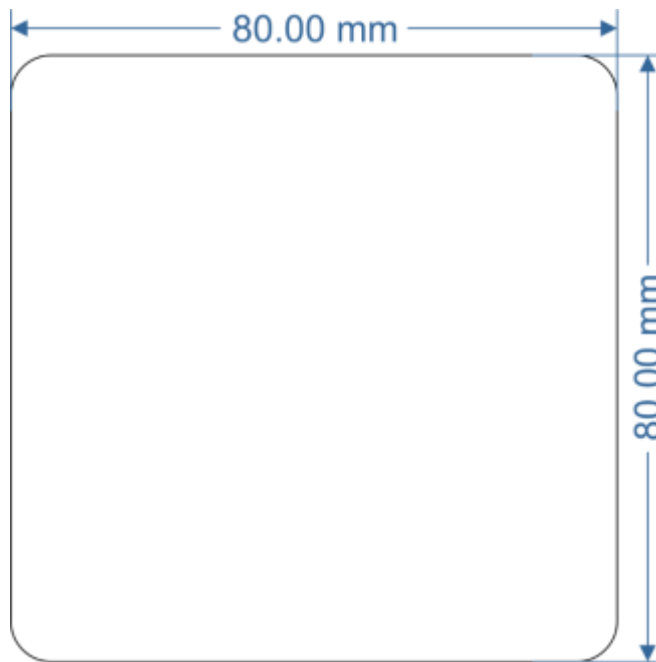
Direct Thermal Removable Labels Size - 80mm x 50mm		
Item No	81617	81616
Labels per Roll	2000	1500
Core Size	76	25
Wound In/Out	Out	Out
Perforated	Yes	No
Pack Size	4	6
\$ per Roll	\$43.00	\$
\$ per Pack	\$172.00	\$200.25



Roll Labels

Direct Thermal Removable Labels					
Size - 80mm x 80mm					
Item No	81061	81614	81639	81667	81691
Labels per Roll	1900	750	2000	950	1500
Core Size	40	25	76	40	76
Wound In/Out	Out	Out	Out	Out	Out
Perforated	No	No	No	No	No
Pack Size	4	8	4	8	4
\$ per Roll	\$43.75	\$17.27	\$46.06	\$21.88	\$34.54
\$ per Pack	\$175.02	\$138.17	\$184.23	\$175.02	\$138.17

Labels Shown
Actual Size

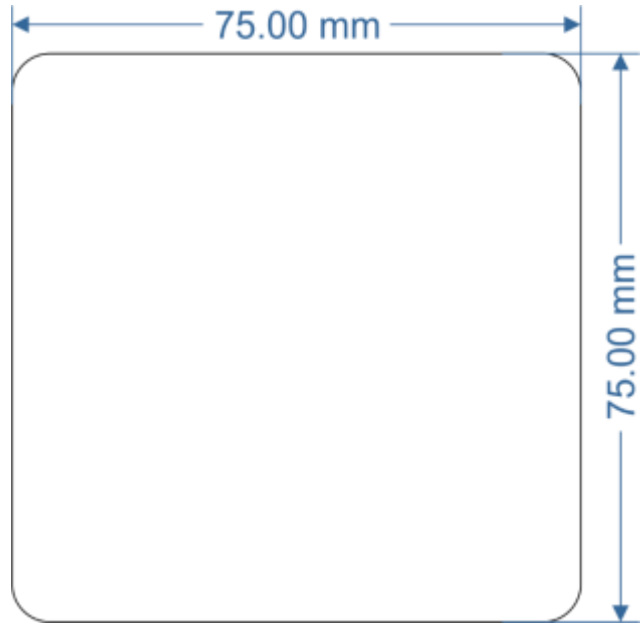


Direct Thermal Removable Labels		
Size - 76mm x 48mm		
Item No	81670	81749
Labels per Roll	1000	2000
Core Size	76	76
Wound In/Out	Out	Out
Perforated	Yes	Yes
Pack Size	8	4
\$ per Roll	\$16.56	\$33.12
\$ per Pack	\$132.48	\$132.48



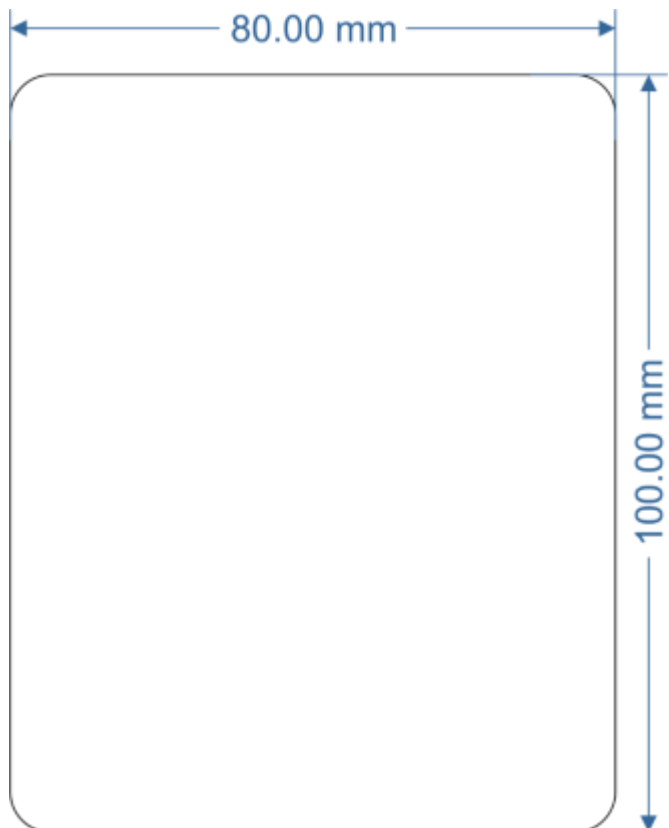
Roll Labels

Direct Thermal Removable Labels Size - 75mm x 75mm		
Item No	81675	81911
Labels per Roll	1500	750
Core Size	76	25
Wound In/Out	Out	Out
Perforated	No	No
Pack Size	5	8
\$ per Roll	\$42.69	\$
\$ per Pack	\$213.45	\$176.98



Labels Shown
Actual Size

Direct Thermal Removable Labels Size - 80mm x 100mm		
Item No	81912	81913
Labels per Roll	500	1500
Core Size	25	76
Wound In/Out	Out	Out
Perforated	Yes	Yes
Pack Size	8	4
\$ per Roll	\$14.23	\$42.69
\$ per Pack	\$113.84	\$170.76



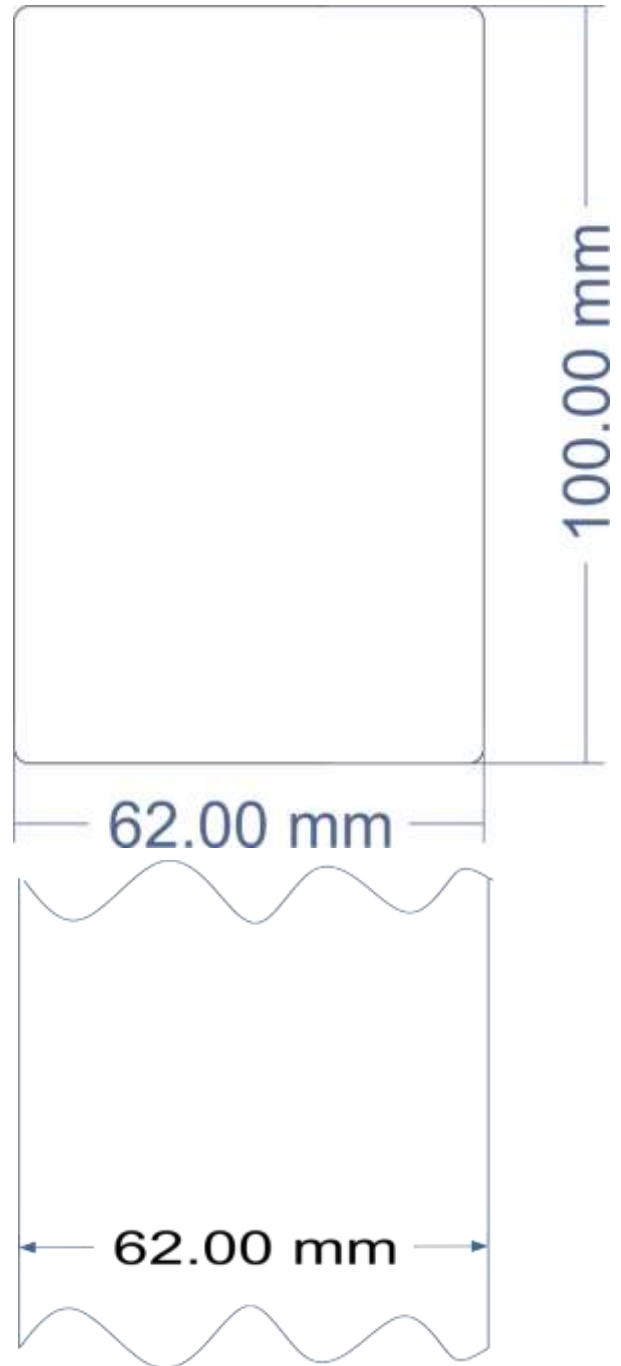
Brother Roll Labels

Brother and Dymo Specific Labels

The Brother consumer label printers like the QL series require special reusable label roll holders that are specific to your label size. These are supplied separately but are included in the 81916 pack. They are reusable so make sure your staff don't throw them away! The Labels are also very specific to these Brother printers. If you need labels for Dymo branded printers call for information.

Removable Labels To suit Brother QL series Size - 62mm x 100mm				
Item No	81916	81930	81931	81932
Labels per Roll	300	300	300	300
Core Size	25	25	25	25
Roll holders	1	1	1	1
Pack Size (rolls)	4	8	20	50
\$ per Pack	\$107.64	\$198.72	\$455.40	\$931.50

Labels Shown
Actual Size



Removable Labels To suit Brother QL series Size - 62mm x 30 Metres Continuous				
Item No	81933	81940	81941	81942
Metres per Roll	30	30	30	30
Core Size	25	25	25	25
Roll holders	1	1	1	1
Pack Size (rolls)	4	8	20	50
\$ per Pack	\$107.64	\$198.72	\$455.40	\$931.50

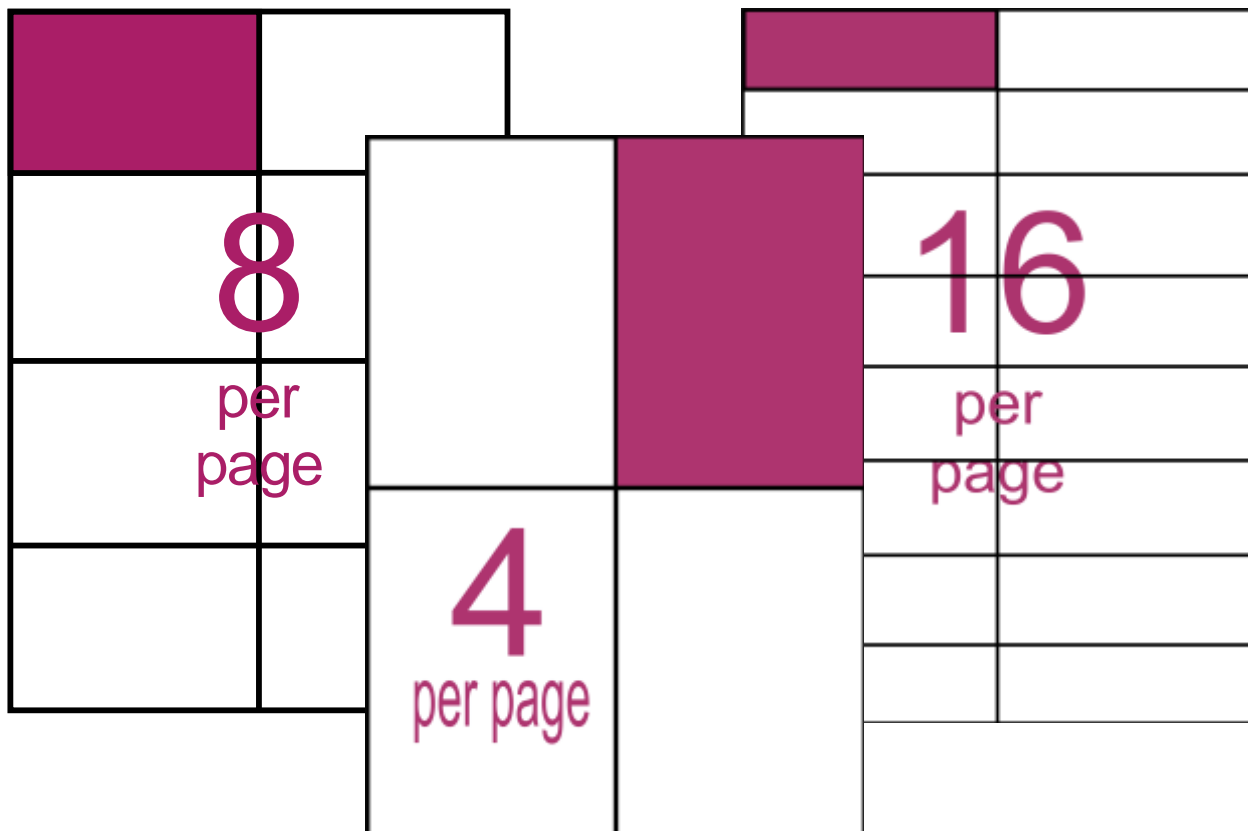
Laser Sheet Labels

Whether you are in the cabinetry industry, joinery industry, a cabinet maker, a kitchen cabinet supplier, a shopfitting manufacturer then we have labels for you.

Our labels are compatible with all the popular design and nesting software solutions including CabMaster, Cabinet Vision, Pytha, EzyNest and EnRoute. Our laser sheets with a removable adhesive suit A4 laser printers. For laser label sheets the common number of labels per page are 1, 2, 4, 8, 14, 16. No more struggling getting the labels off the cabinets. Ask us for a sample today.

You can be confident in these labels. They are in daily use by hundreds of cabinet makers!

All one low price \$92.00 for 500 Sheets



Label Printers

You can print labels a number of ways. You can use a standard laser printer or the more efficient way is to use a dedicated label printer with the right labels to make the job really easy for you. Most of the popular software products for the woodworking industry will support printing via label printers.

There are many advantages to label printers over laser printers. The largest unseen costs come from having to print full pages of labels with a laser and not individual labels like a label printer. The other hidden costs are staff time and also toner/drum costs of laser printers. The only consumable for most label printers is the label itself.

We have lots of brands, specs and price points but we have listed the most popular ones below. Printer prices vary day to day and we have no control over these so the printer prices listed here are current as of 1st June 2020. For current prices see our website or call.



ZD220D	Direct Thermal
Interface	USB
Print Speed	Max 100mm/sec
Buy Price	\$440 ex



ZD420D	Direct Thermal
Interface	USB – upgradeable to BT and Ethernet
Print Speed	Max 100mm/sec
Buy Price	\$525 ex



ZT230	Direct Thermal/ Transfer
Interface	USB – upgradeable to BT and Ethernet
Print Speed	Max 150mm/sec
Buy Price	\$1190 ex



ZT410	Direct Thermal/ Transfer
Interface	USB, BT, Parallel, Serial and Ethernet
Print Speed	Max 355mm/sec
Buy Price	\$1695 ex